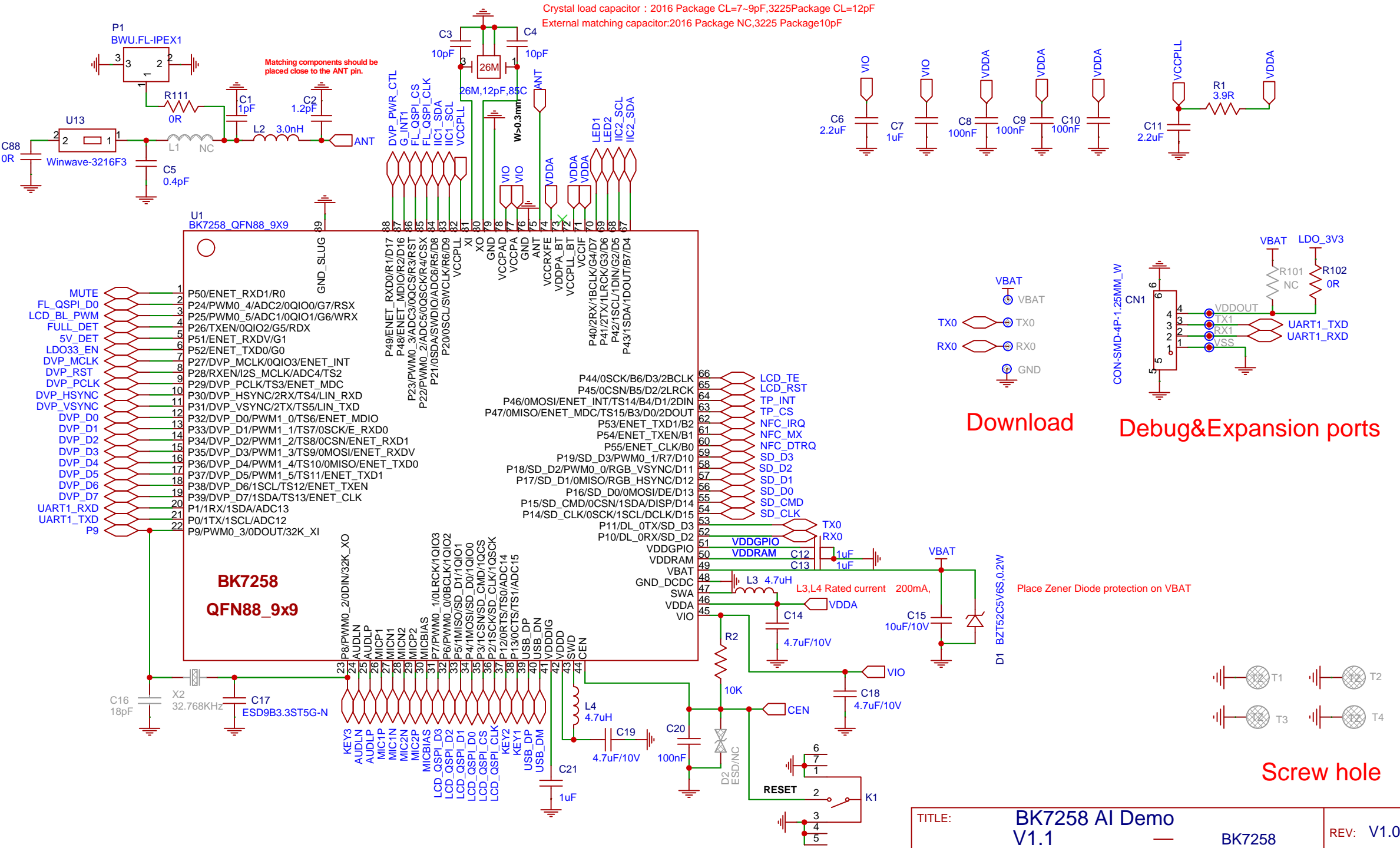


| | | | |
|---|-----------------------|-----------------------|---------------------|
| TITLE: | BK7258 AI Demo | | REV: V1.0 |
| | V1.1 | Block | |
|  | Company: Beken | Page size A4 | Sheet: 1 / 6 |
| Date 2025-06-20 | Drawn By: XXX1 | Check By: XXX2 | |

Crystal load capacitor : 2016 Package CL=7~9pF,3225Package CL=12pF
 External matching capacitor:2016 Package NC,3225 Package10pF



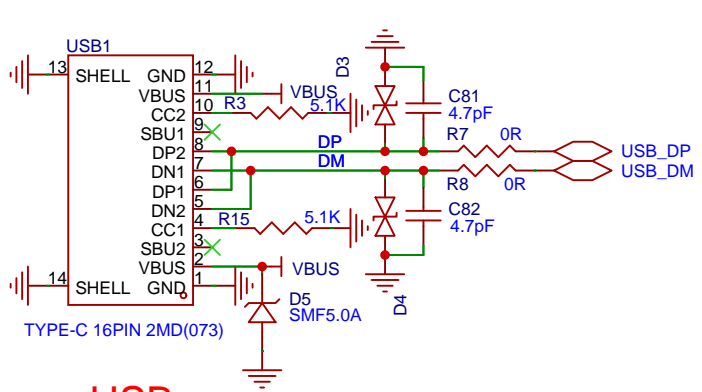
Download

Debug&Expansion ports

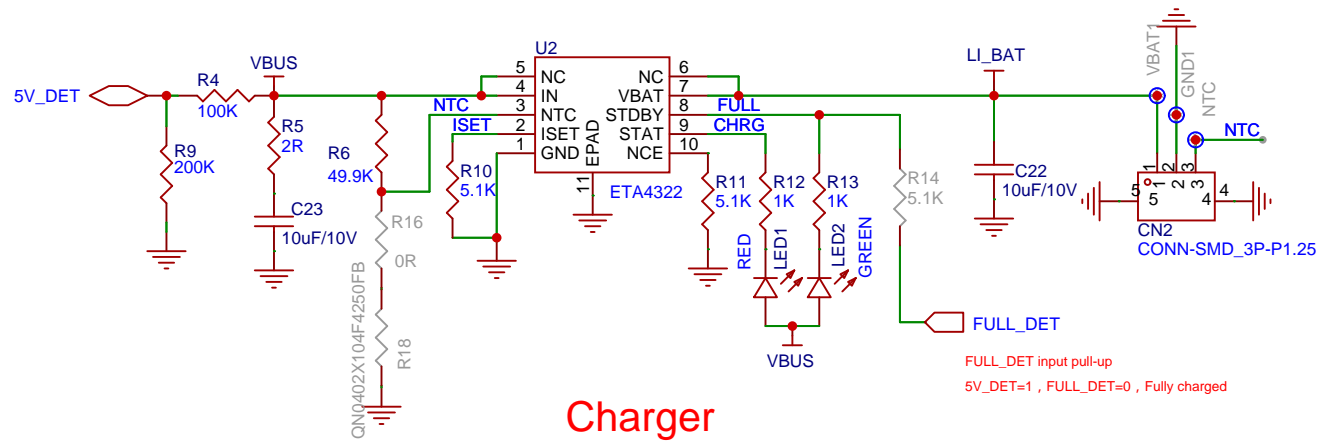
Place Zener Diode protection on VBAT

Screw hole

| | | | |
|--------|------------------------|-----------------------|-----------------------|
| TITLE: | BK7258 AI Demo | | |
| | V1.1 | BK7258 | REV: V1.0 |
| | Company: Beken | Page size A4 | Sheet: 2 / 6 |
| | Date 2025-06-20 | Drawn By: XXX1 | Check By: XXX2 |

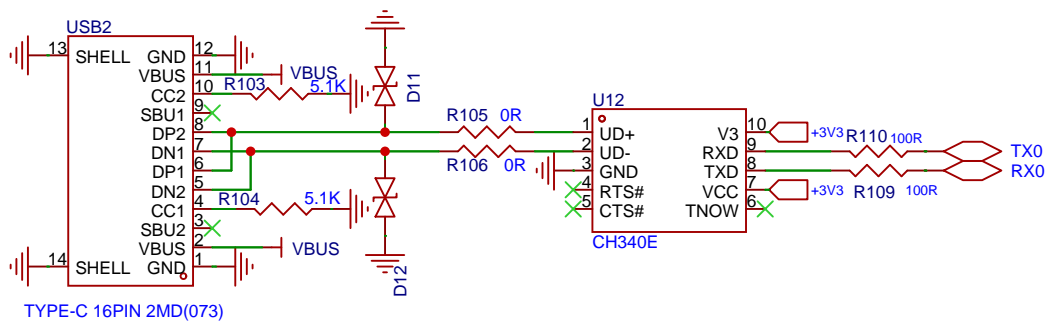


USB

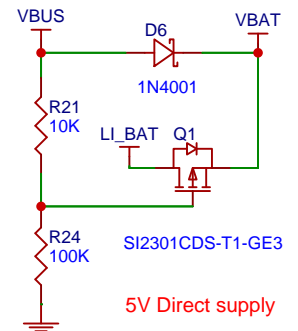
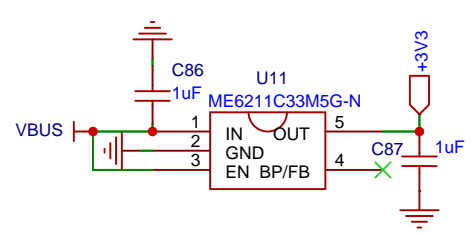


Charger

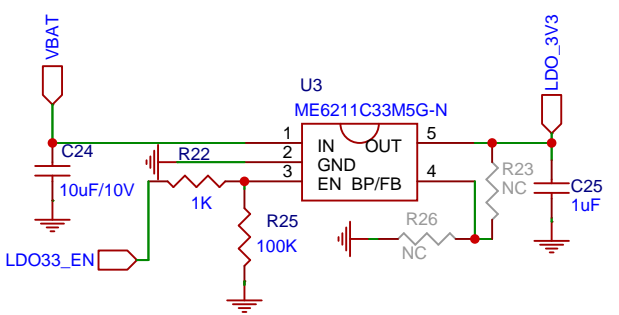
FULL_DET input pull-up
5V_DET=1 , FULL_DET=0 , Fully charged



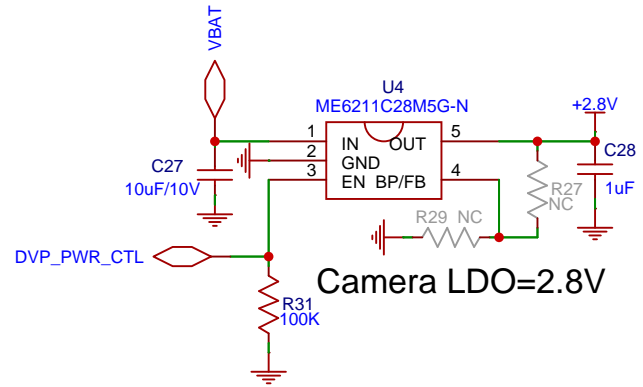
USB TO UART



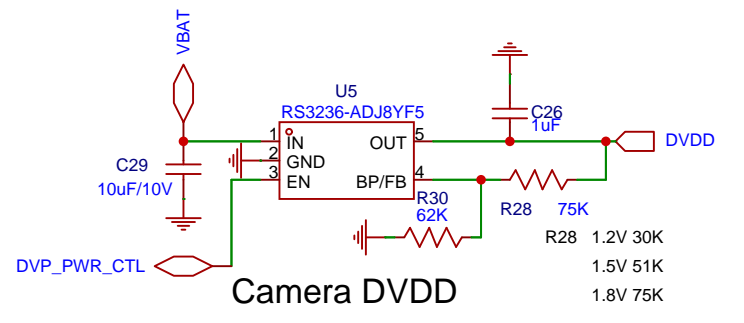
5V Direct supply



External LDO



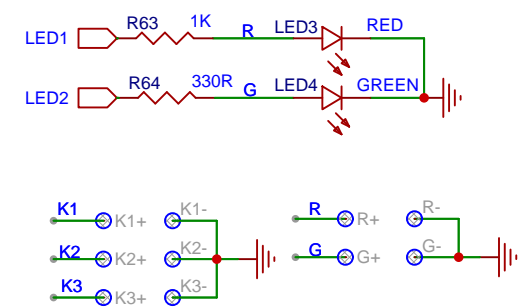
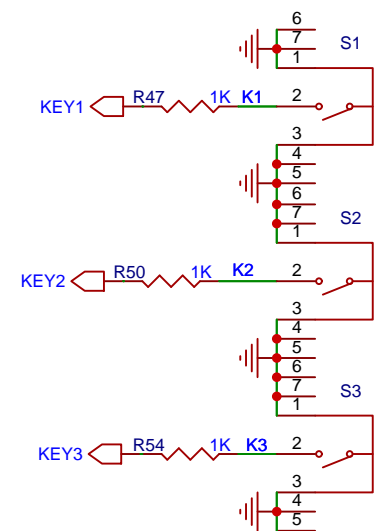
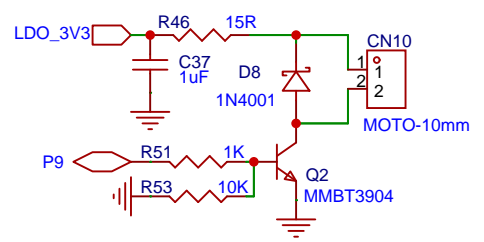
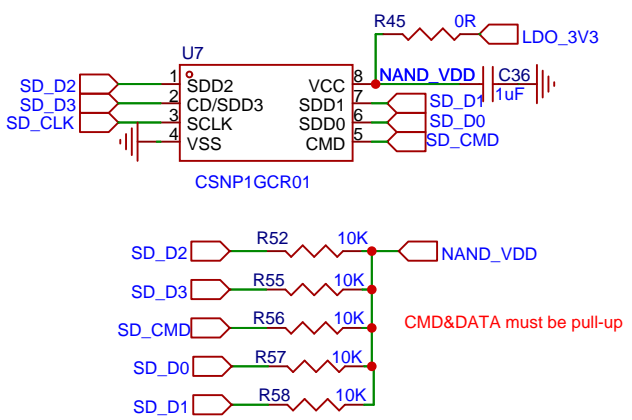
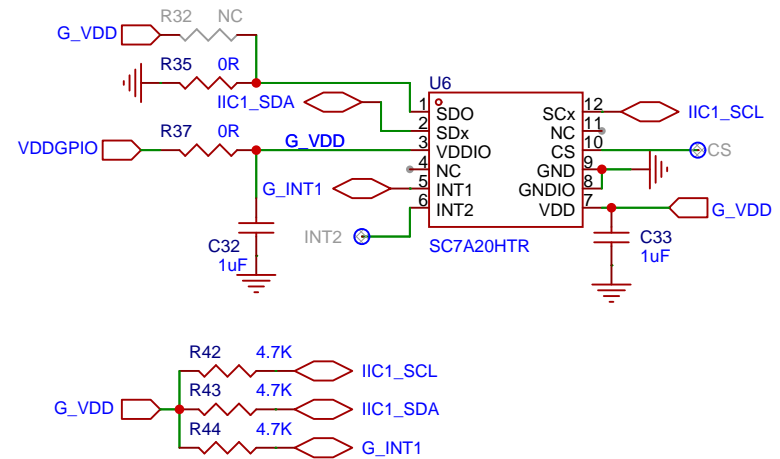
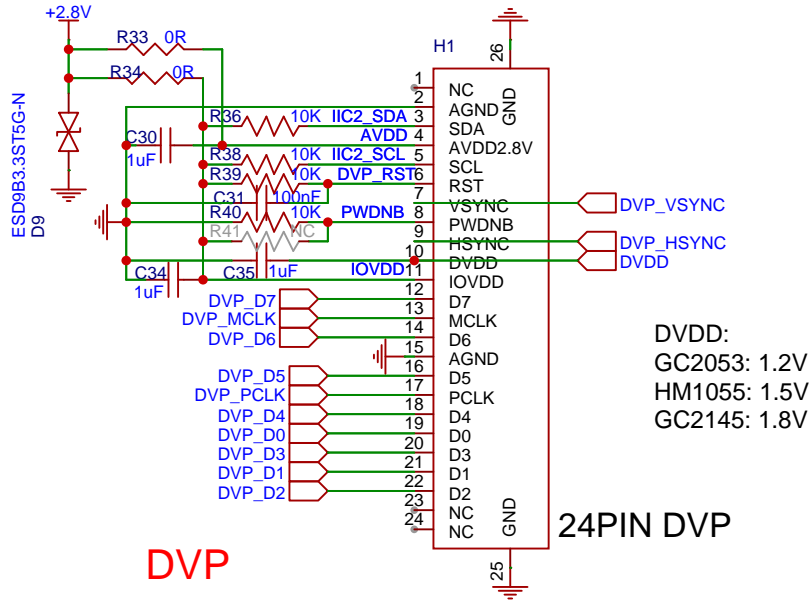
Camera LDO=2.8V

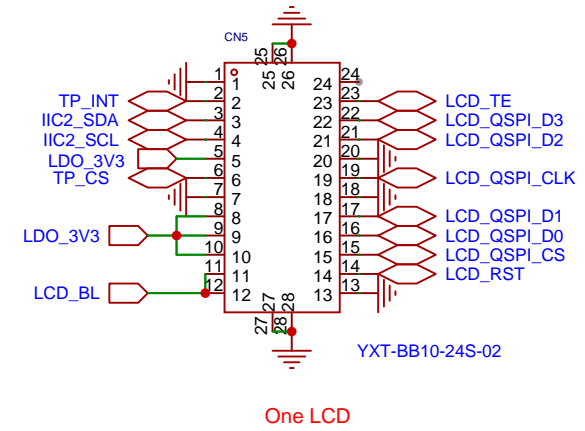
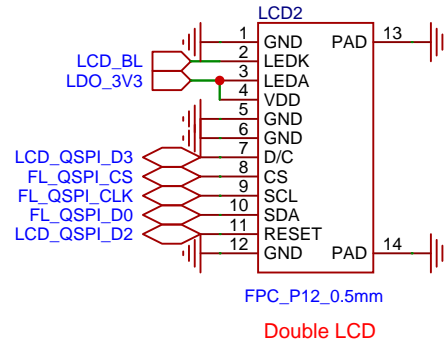
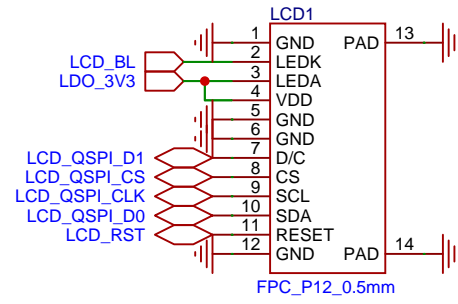
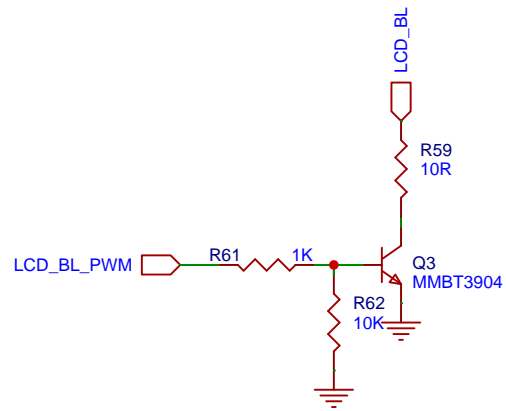


DVP Power

$$Vo=(Ru+Rd)/Rd*0.81$$

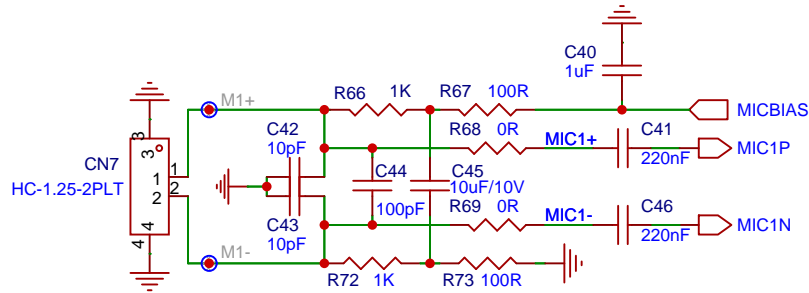
| | | |
|--------|------------------------|---|
| TITLE: | BK7258 AI Demo | REV: V1.0 |
| | V1.1 | Power |
| | Company: Beken | Page size A4 Sheet: 3 / 6 |
| | Date 2025-06-20 | Drawn By: XXX1 Check By: XXX2 |



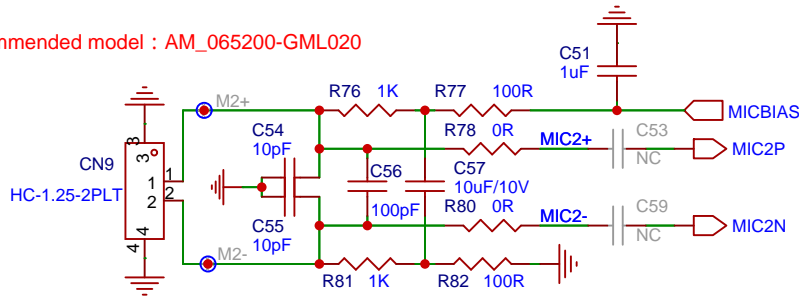


One LCD

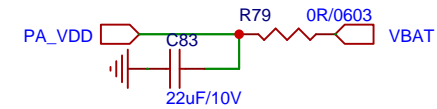
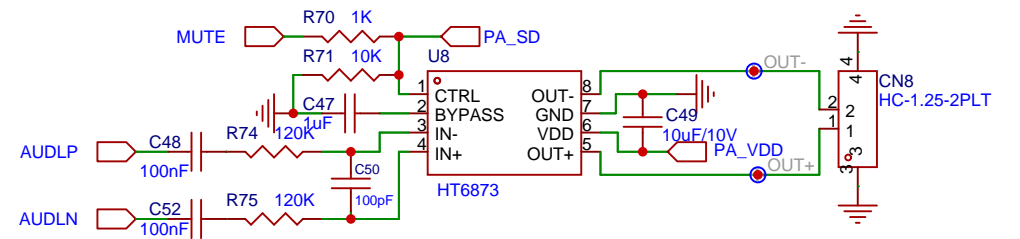
Double LCD



MIC Recommended model : AM_065200-GML020



MIC

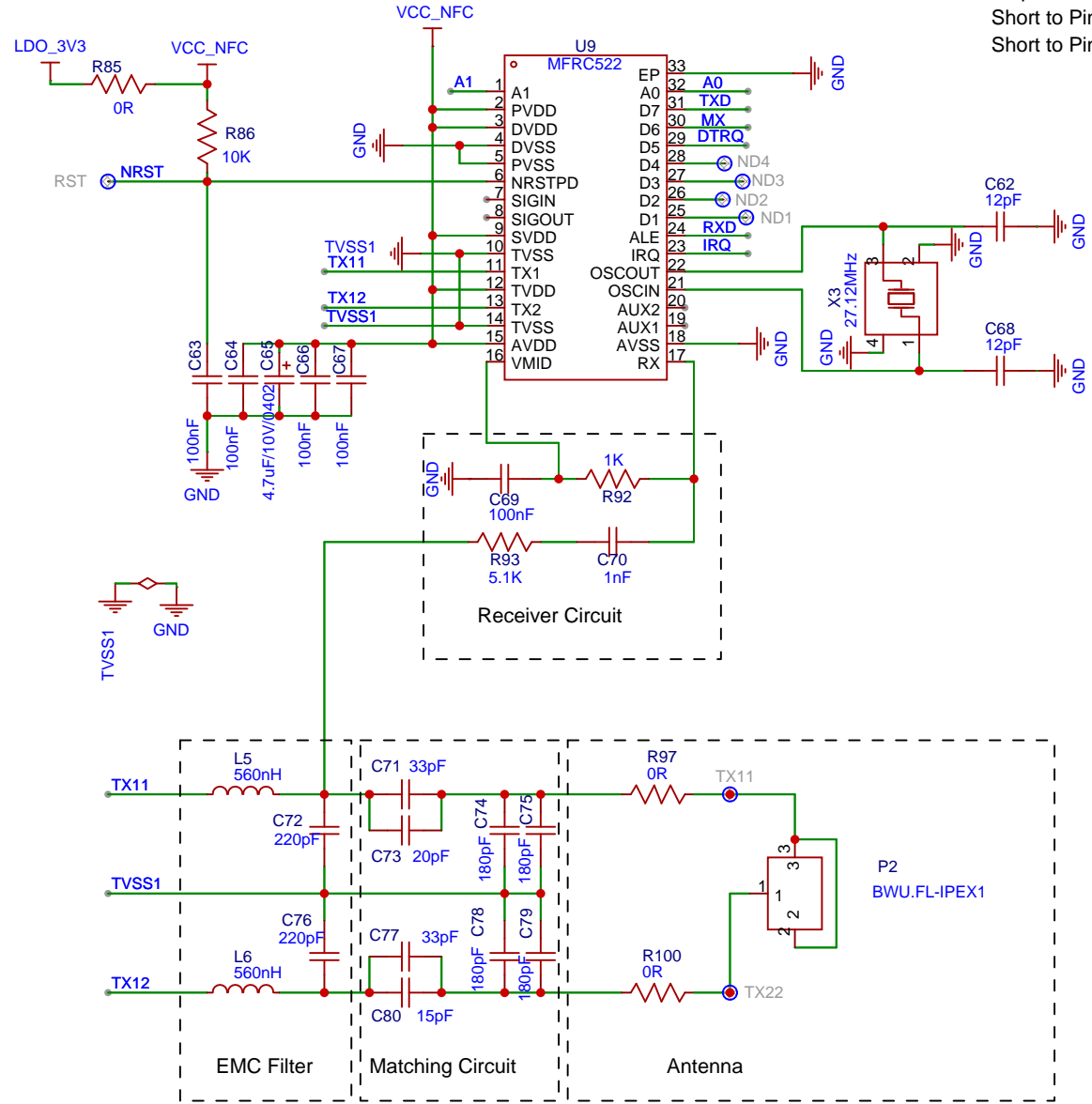


Speak

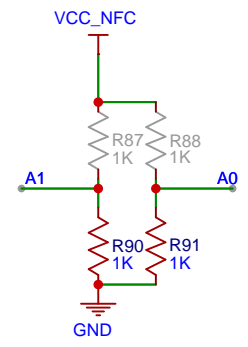
AEC needs to add a mining circuit, and adjust the resistance values of R83 and R84 appropriately according to the output volume

| | | | |
|----------|----------------------------|----------------|----------------|
| TITLE: | BK7258 AI Demo V1.1 | LCD/AUDIO | REV: V1.0 |
| Company: | Beken | Page size A4 | Sheet: 5 / 6 |
| Date | 2025-06-20 | Drawn By: XXX1 | Check By: XXX2 |





Jumper for selecting UART port or I2C port
 Short to Pin1 output I2C protocol
 Short to Pin3 output UART protocol



Use Uart by default

| | UATR | SPI | IIC |
|----|------|-----|-----|
| A1 | 0 | 0 | 1 |
| A0 | 0 | 1 | EA |

